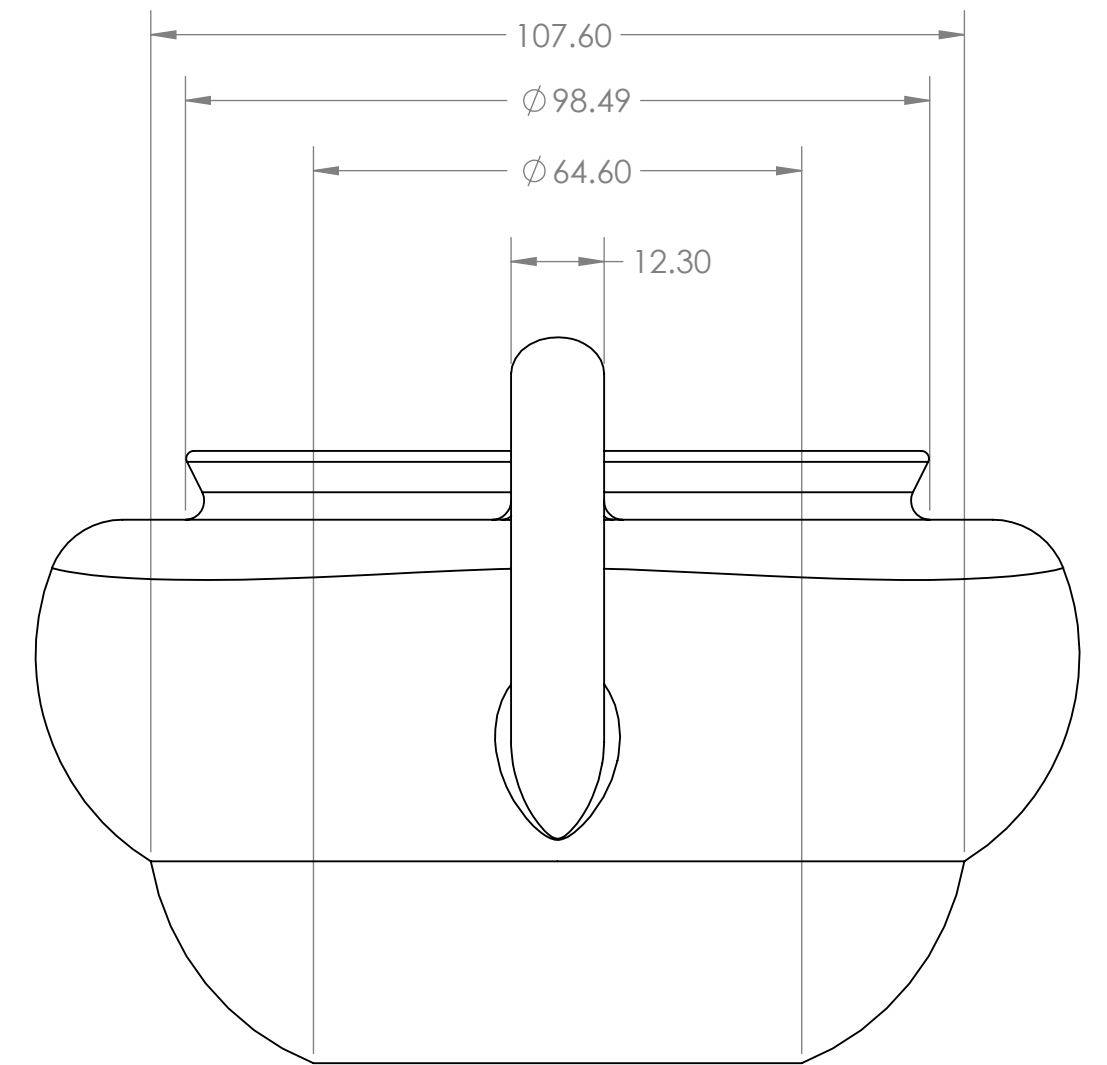
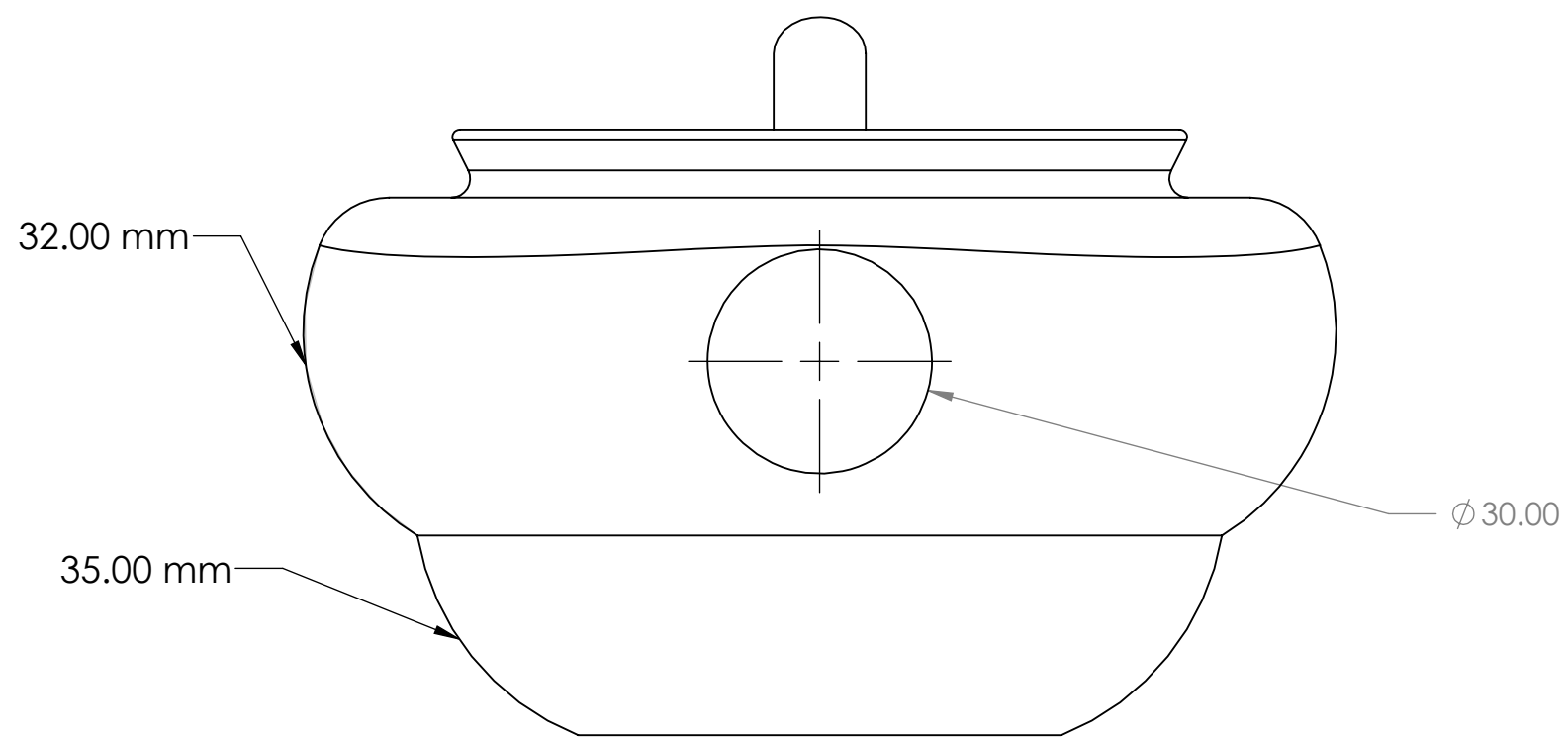
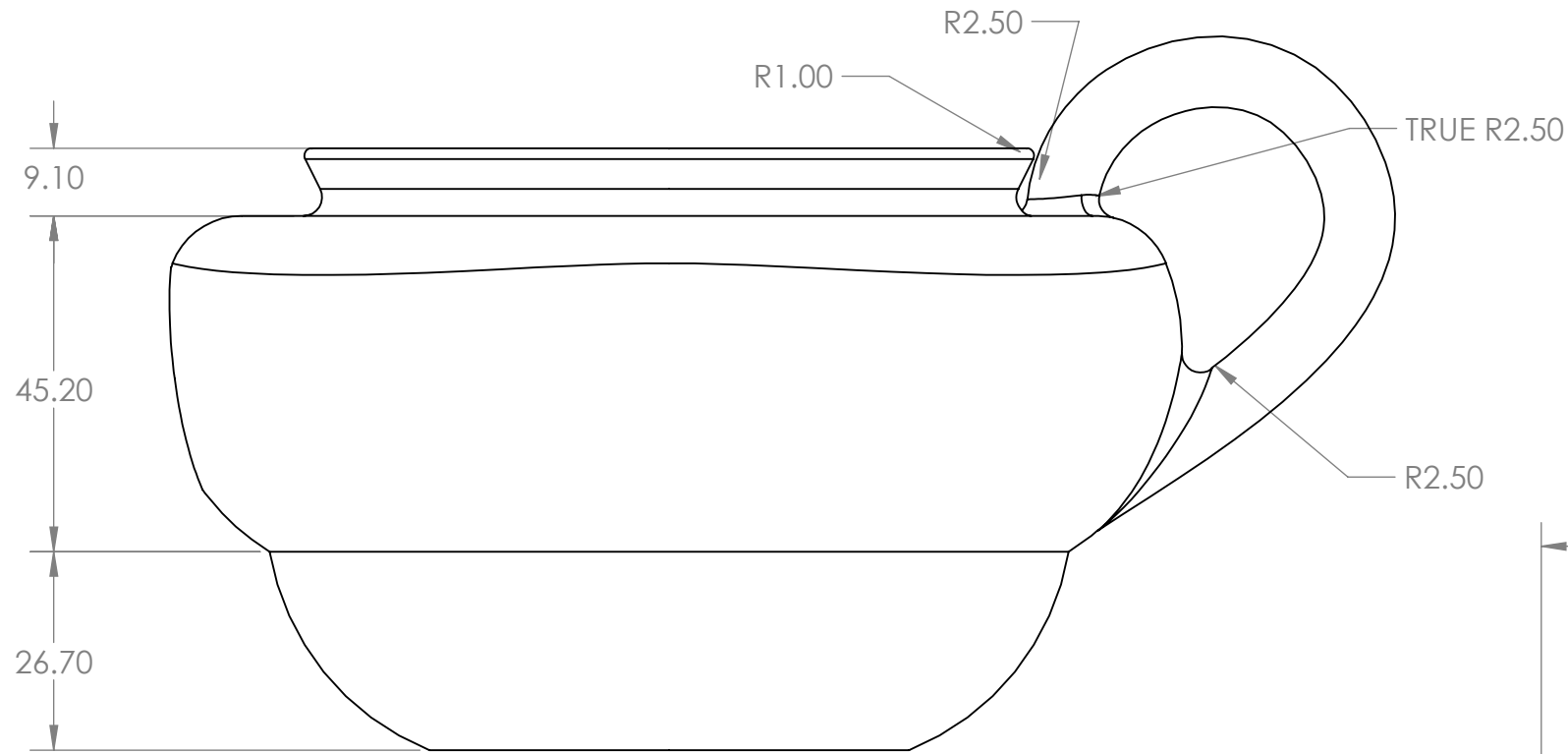
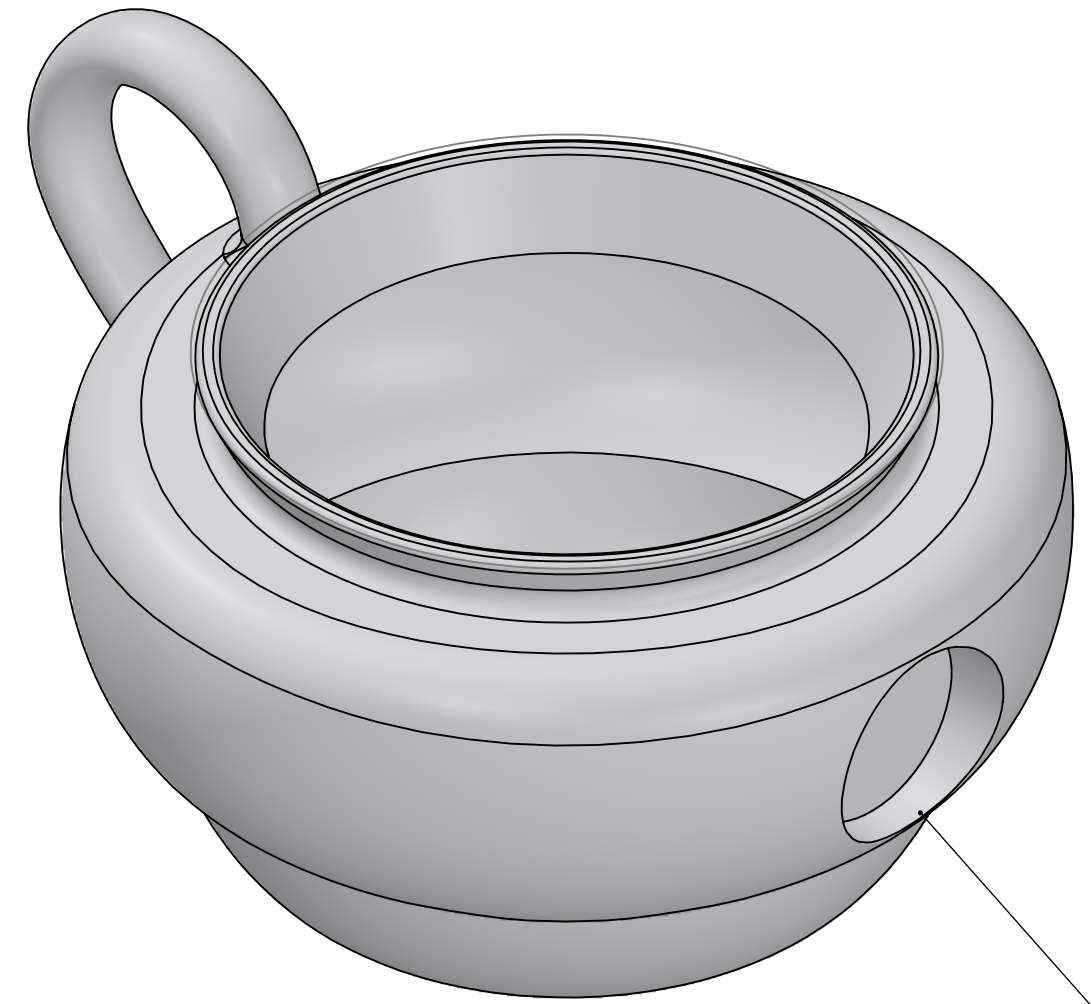
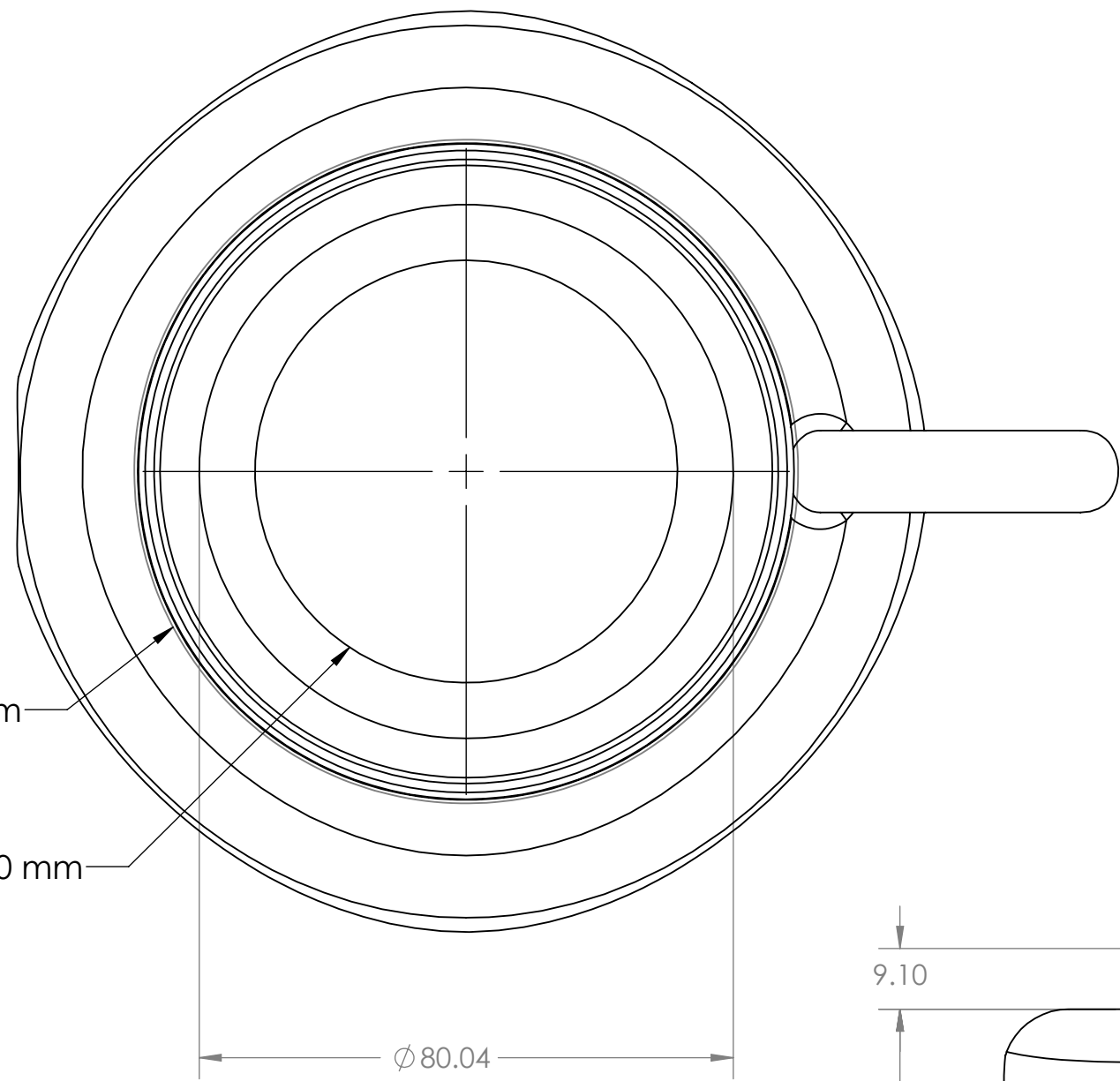


4

3

2

1



**PROPRIETARY AND CONFIDENTIAL**  
THE INFORMATION CONTAINED IN THIS DRAWING IS THE SOLE PROPERTY OF <INSERT COMPANY NAME HERE>. ANY REPRODUCTION IN PART OR AS A WHOLE WITHOUT THE WRITTEN PERMISSION OF <INSERT COMPANY NAME HERE> IS PROHIBITED.

		UNLESS OTHERWISE SPECIFIED:		NAME	DATE	<b>ME 371 Project #1</b> TITLE: <b>Salina Liu</b> <b>EMPLID 23768012</b> SIZE DWG. NO. REV <b>C</b> SCALE: 1:1 SHEET 1 OF 1
		DIMENSIONS ARE IN MILLIMETERS	DRAWN			
			CHECKED			
			ENG APPR.			
			MFG APPR.			
NEXT ASSY	USED ON	INTERPRET GEOMETRIC TOLERANCING PER:	Q.A.		COMMENTS:	
APPLICATION		MATERIAL CERAMIC PORCELAIN FINISH				
		DO NOT SCALE DRAWING				

4

3

2

1

D

D

C

C

B

B

A

A