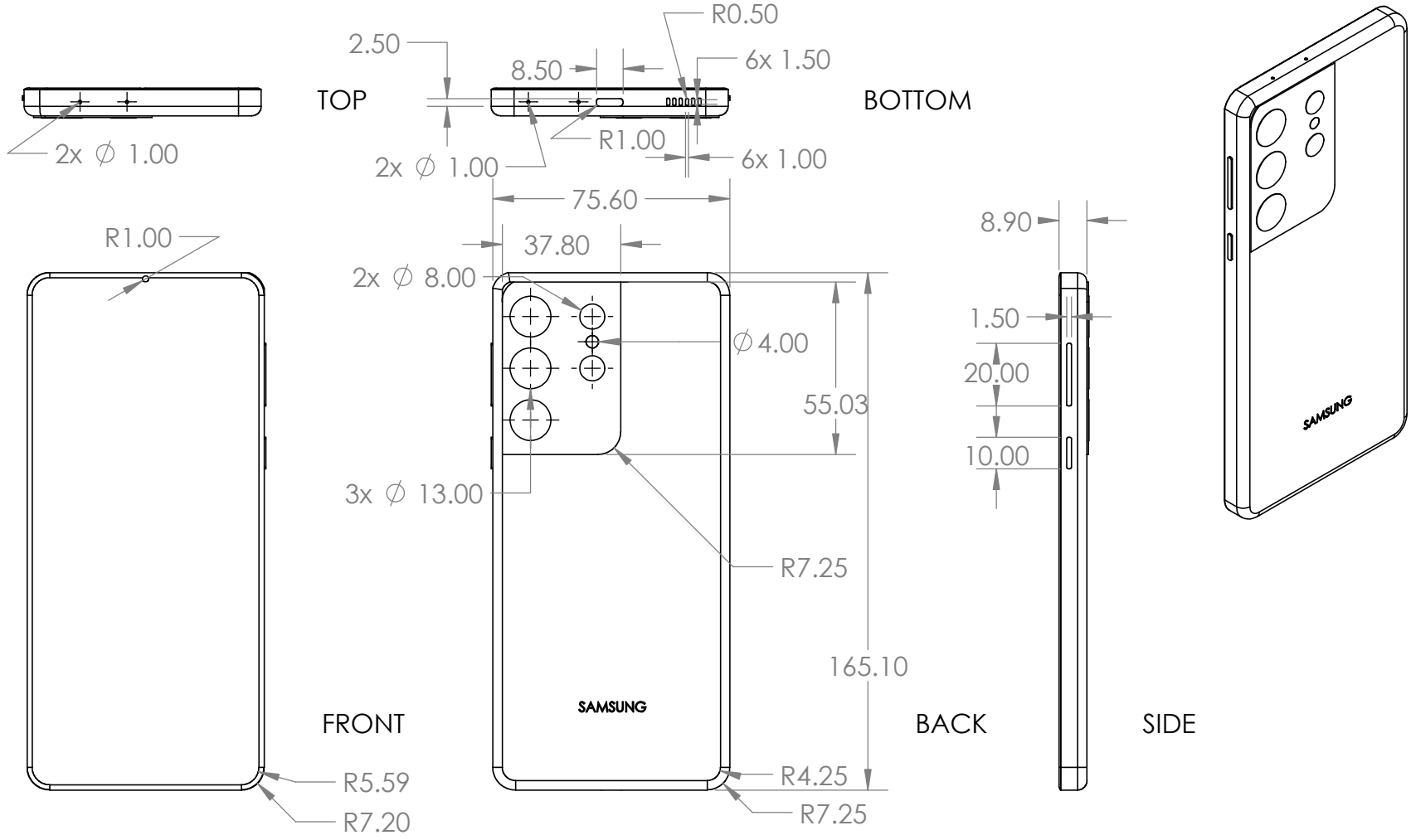


2

1



B

B

A

A

**PROPRIETARY AND CONFIDENTIAL**  
 THE INFORMATION CONTAINED IN THIS DRAWING IS THE SOLE PROPERTY OF <INSERT COMPANY NAME HERE>. ANY REPRODUCTION IN PART OR AS A WHOLE WITHOUT THE WRITTEN PERMISSION OF <INSERT COMPANY NAME HERE> IS PROHIBITED.

		UNLESS OTHERWISE SPECIFIED:		NAME	DATE
		DIMENSIONS ARE IN MILLIMETERS	DRAWN		
		TOLERANCES:	CHECKED		
		FRACTIONAL $\pm$	ENG APPR.		
		ANGULAR: MACH $\pm$ BEND $\pm$	MFG APPR.		
		TWO PLACE DECIMAL $\pm$	Q.A.		
		THREE PLACE DECIMAL $\pm$	COMMENTS:		
		INTERPRET GEOMETRIC TOLERANCING PER:			
		MATERIAL			
		PLASTIC, GLASS, LED LIGHT			
		FINISH			
		MED, HI GLOSS, BLUE, WHITE			
NEXT ASSY	USED ON				
		APPLICATION			
		DO NOT SCALE DRAWING			

<b>ME 462</b>		
TITLE: <b>Samsung Galaxy S21 Ultra</b>		
<b>Salina Liu</b>		
SIZE <b>A</b>	DWG. NO.	REV
SCALE: 1:2	WEIGHT:	SHEET 1 OF 1

1